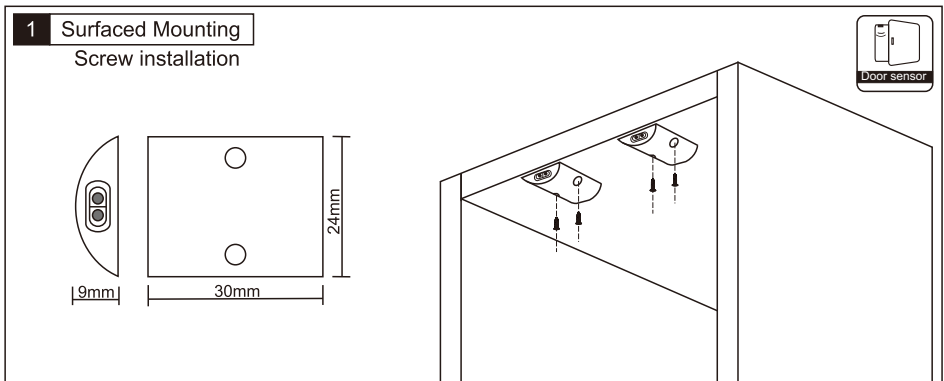


S2A-2A3 Surfaced Double Door Trigger Sensor

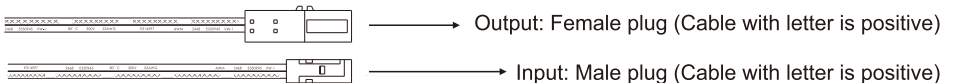


Voltage	DC12V~DC24V
Max watt	60W
Sensing distance	5~8cm
Material	Plastic, Black
IP level	IP20
Size	30*24*19mm(Surfaced)

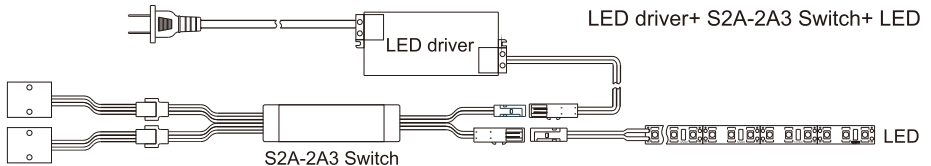
Installation Way



Wiring



Connection



Notes

1. For indoor use only.
2. Do not disassemble the product.
3. Do not install the switch in water dropping place.
4. Use a dry cloth, never a strong cleaning agent.
5. Replace all set switch device if case of quality or malfunction.