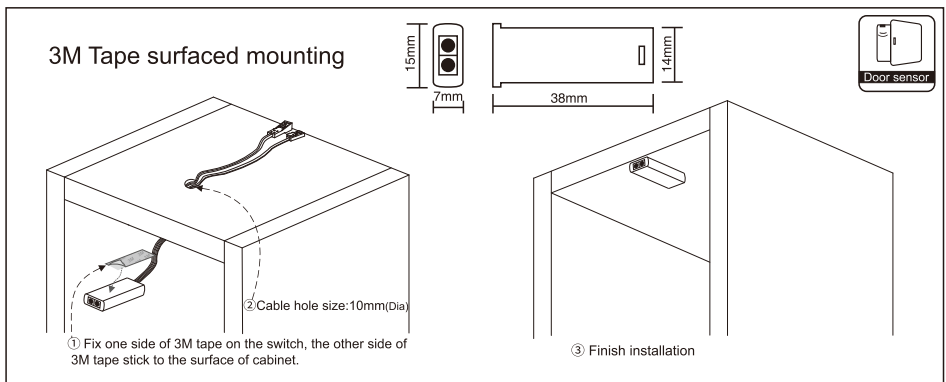


S2A-A0 Door trigger sensor

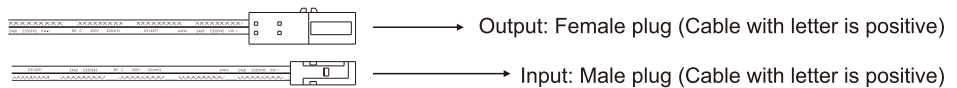


Voltage	DC12V~DC24V
Max watt	60W
Sening distance	5~8cm
Material	Plastic, Silver
IP level	IP20
Size	38x15x7mm

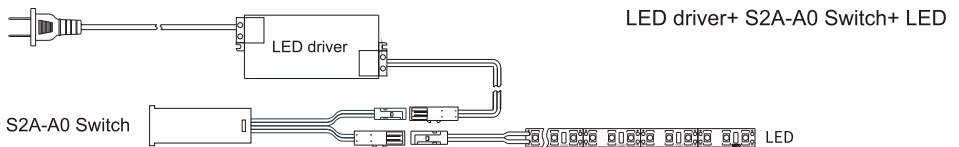
Installation Way



Wiring



Connection



Notes

1. For indoor use only.
2. Do not disassemble the product.
3. Do not install the switch in water dropping place.
4. Use a dry cloth, never a strong cleaning agent.
5. Replace all set switch device if case of quality or malfunction.