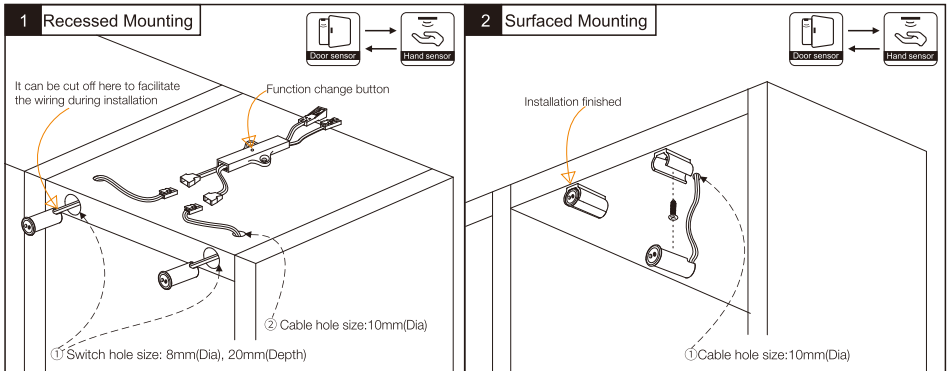


# SWA-2A4P Double door trigger & hand shaking sensor switch

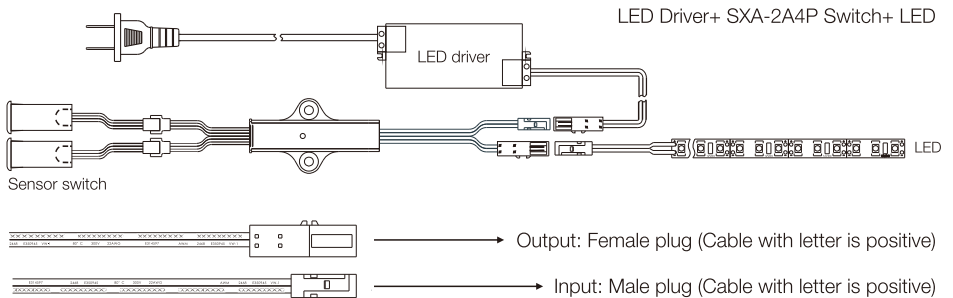


Voltage	DC12V / DC24V
Max watt	60W
Sensing distance	5~8cm
Material	Plastic, Black / White
IP level	IP20
Size	Φ10x20mm (Recessed)
	19x10x8mm (Surface clips)

## Installation Way



## Connection



## Notes

1. For indoor use only.
2. Do not disassemble the product.
3. Do not install the switch in water dropping place.
4. Use a dry cloth, never a strong cleaning agent.
5. Replace all set switch device if case of quality or malfunction.

