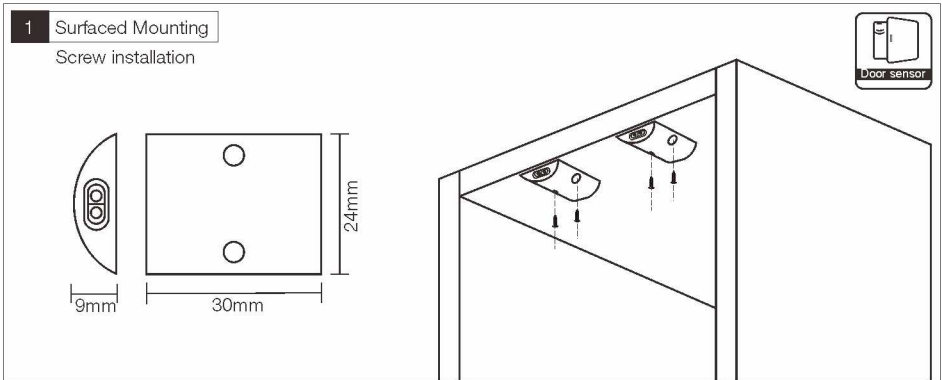


S2A-2A3 Surfaced Double Door Trigger Sensor

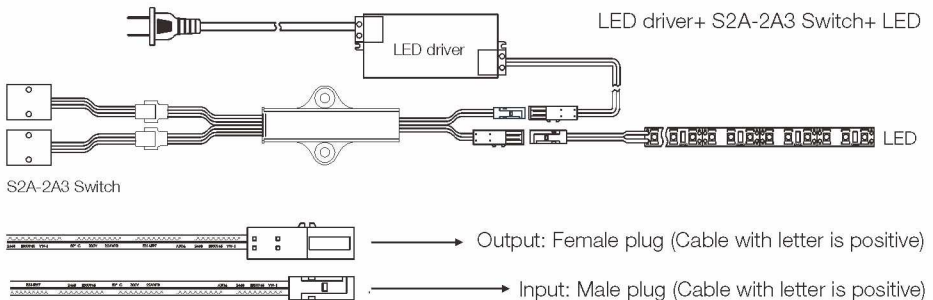


| | |
|------------------|---------------------|
| Voltage | DC12V / DC24V |
| Max watt | 60W |
| Sensing distance | 5~8cm |
| Material | Plastic, Black |
| IP level | IP20 |
| Size | 30x24x9mm(Surfaced) |

Installation Way



Connection



Notes

1. For indoor use only.
2. Do not disassemble the product.
3. Do not install the switch in water dropping place.
4. Use a dry cloth, never a strong cleaning agent.
5. Replace all set switch device if case of quality or malfunction.