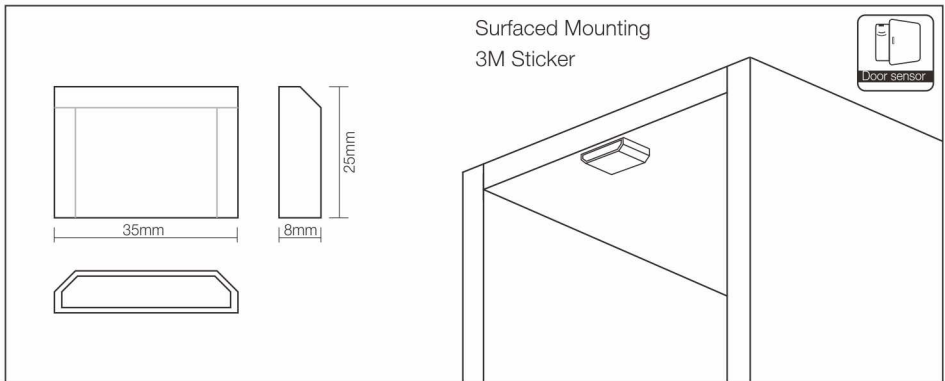


S2A-2A3P Door Trigger Sensor Switch

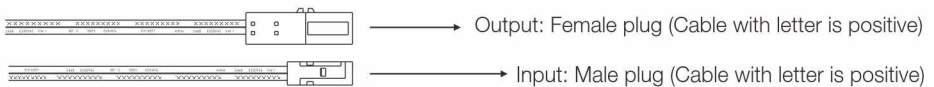
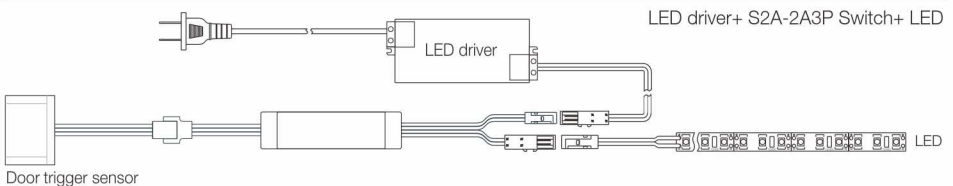


Voltage	DC12V / DC24V
Max watt	60W
Sensing distance	5-8cm
Material	Plastic, Black
IP level	IP20
Size	38x25x8mm(Surfaced)

Installation Way



Connection



Notes

1. For indoor use only.
2. Do not disassemble the product.
3. Do not install the switch in water dropping place.
4. Use a dry cloth, never a strong cleaning agent.
5. Replace all set switch device if case of quality or malfunction.