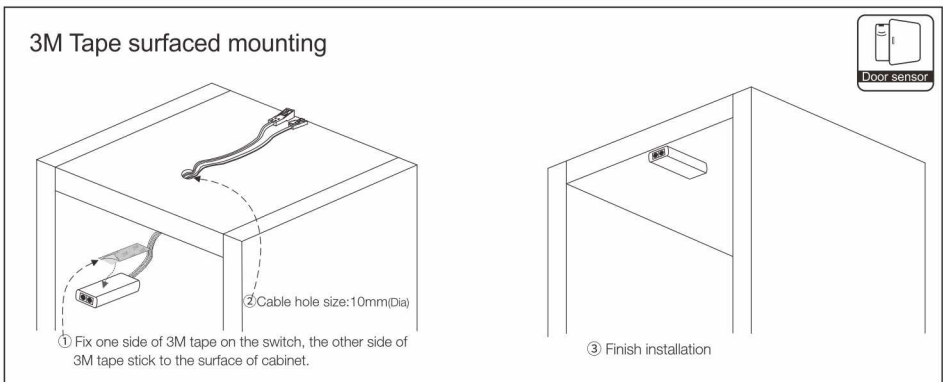


S2A-A0 Door Trigger Sensor Switch

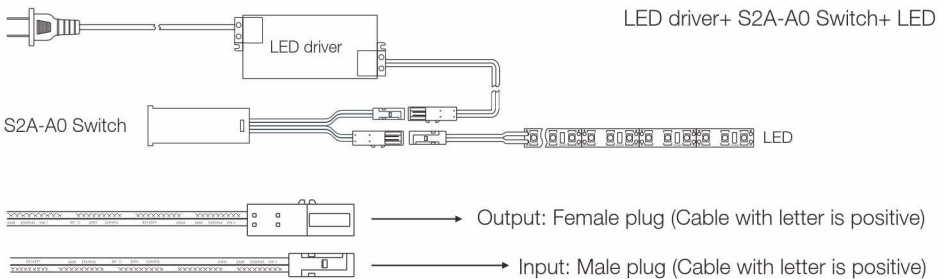


Voltage	DC12V / DC24V
Max watt	60W
Sensing distance	5~8cm
Material	Plastic, Silver
IP level	IP20
Size	38x15x7mm

Installation Way



Connection



Notes

1. For indoor use only.
2. Do not disassemble the product.
3. Do not install the switch in water dropping place.
4. Use a dry cloth, never a strong cleaning agent.
5. Replace all set switch device if case of quality or malfunction.

