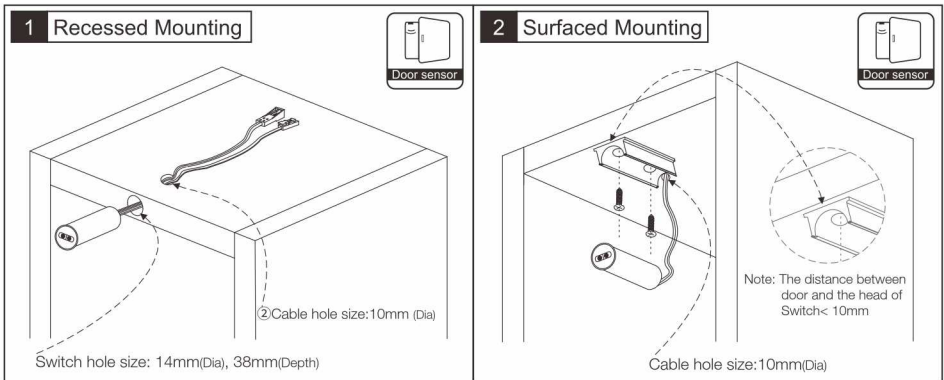


S2A-A1 Door Trigger Sensor Switch

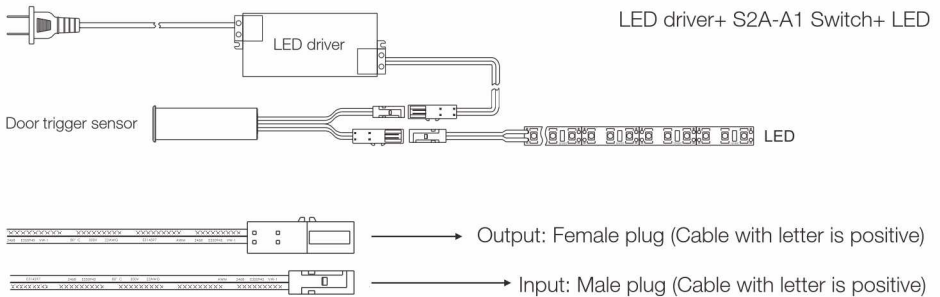


Voltage	DC12V / DC24V
Max watt	60W
Sensing distance	5~8cm
Material	Plastic, White
IP level	IP20
Size	Ø 16*38mm(Recessed)
	40*22*14mm(Surfaced)

Installation Way



Connection



Notes

1. For indoor use only.
2. Do not disassemble the product.
3. Do not install the switch in water dropping place.
4. Use a dry cloth, never a strong cleaning agent.
5. Replace all set switch device if case of quality or malfunction.