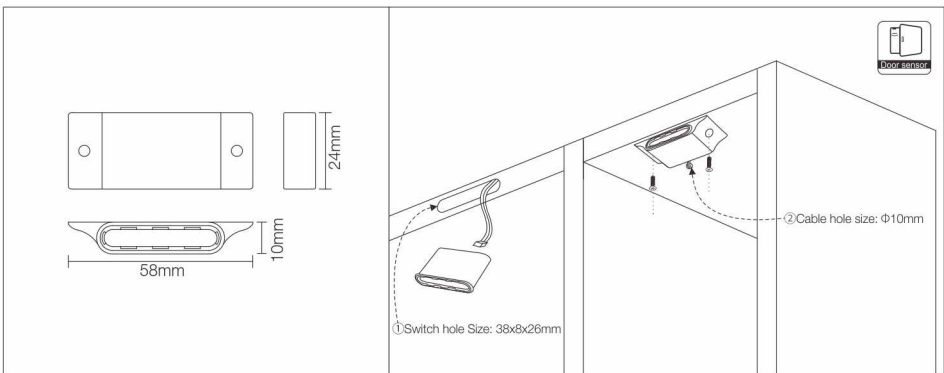


S2A-JA1 Double Door Trigger Sensor - Central Control

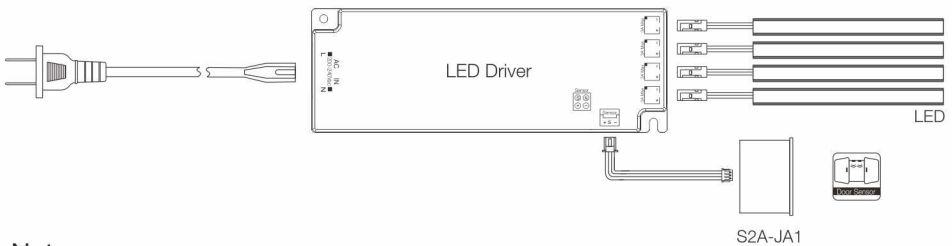


Voltage	DC12V / DC24V
Sensing distance	3~6cm
Material	Plastic, Black / White
IP level	IP20
Size	58x24x10mm

Installation Way



Connection



Notes

1. For indoor use only.
2. Do not disassemble the product.
3. Do not install the switch in water dropping place.
4. Use a dry cloth, never a strong cleaning agent.
5. Replace all set switch device if case of quality or malfunction.