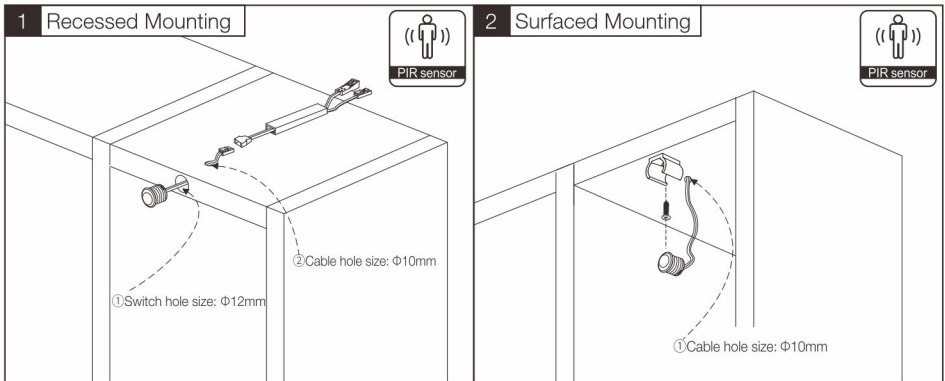


S6A-A1 PIR Sensor Switch

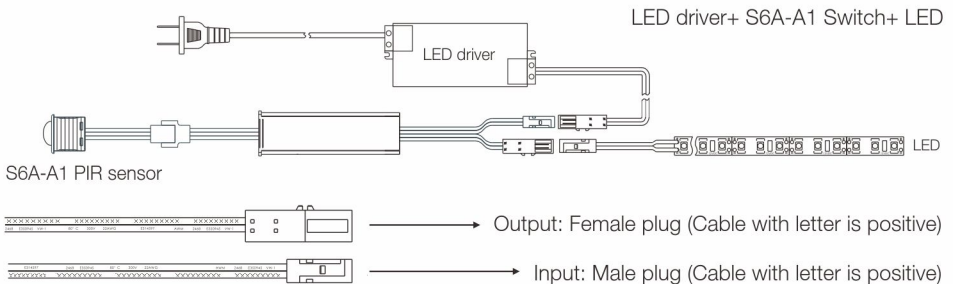


| | |
|------------------|---------------------------|
| Voltage | DC12V / DC24V |
| Max watt | 60W |
| Sensing distance | 1~3m |
| Material | Plastic, Black |
| IP level | IP20 |
| Size | Φ14x15mm(Recessed) |
| | 13x10x10mm(Surface clips) |

Installation Way



Connection



Notes

1. For indoor use only.
2. Do not disassemble the product.
3. Do not install the switch in water dropping place.
4. Use a dry cloth, never a strong cleaning agent.
5. Replace all set switch device if case of quality or malfunction.

