

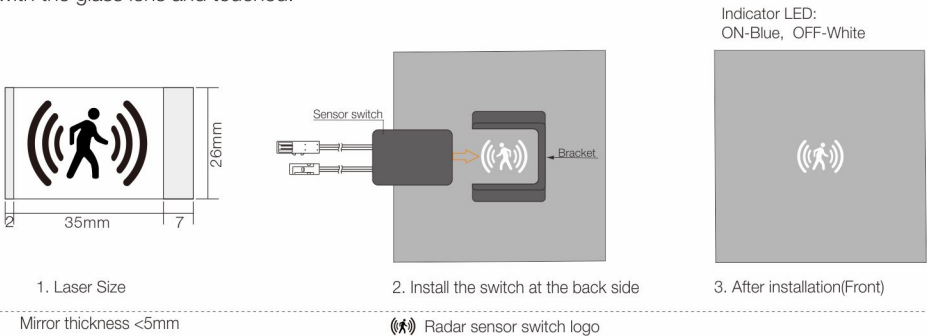
S7B-A6P Radar Sensor Switch



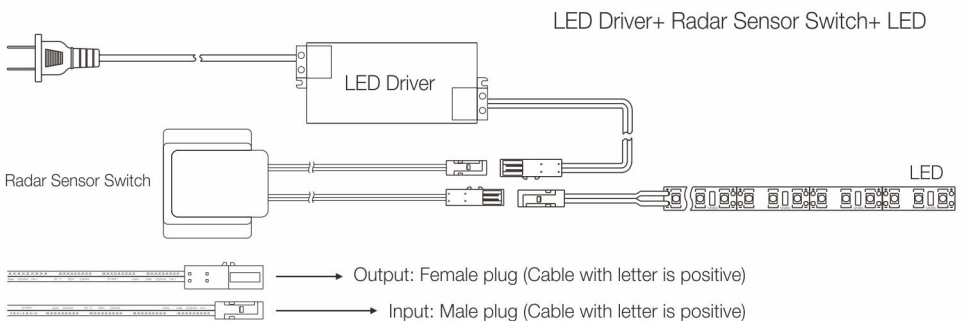
Voltage	DC12V / DC24V
Max watt	60W
Function	Radar sensor
Material	Plastic, Black
IP level	IP20
Size	51x37x6mm
	65x45x4mm(Frame)

Installation Way

Tear the 3M tape off the mirror product,stick the switch on the glass,the center of the switch is aligned with the glass lens and touched.



Connection



Notes

1. For indoor use only.
2. Do not disassemble the product.
3. Do not install the switch in water dropping place.
4. Use a dry cloth, never a strong cleaning agent.
5. Replace all set switch device if case of quality or malfunction.

