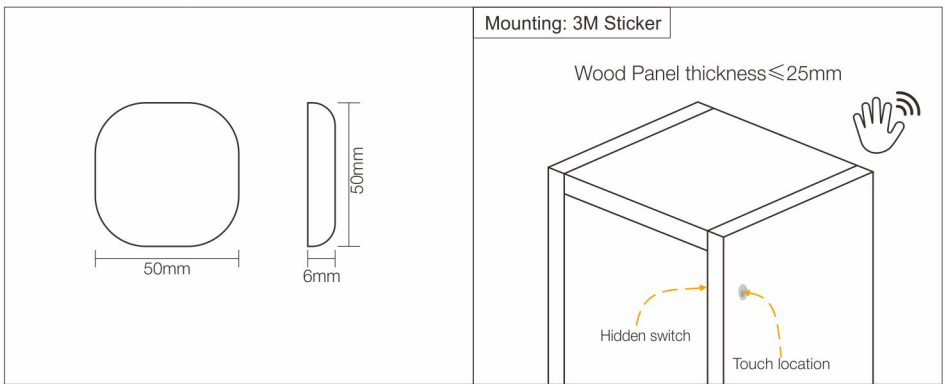


## S8A3-A1 Hidden Shaking Hand Sensor Switch

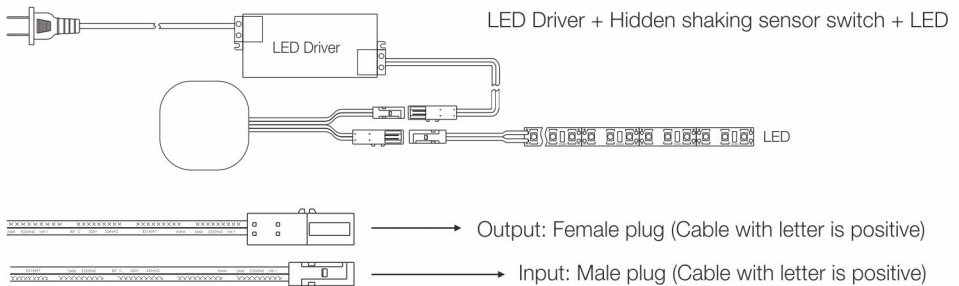


Voltage	DC12V / DC24V
Max Watt	60W
Function	Shaking hand sensor
Material	Plastic, Black
IP Level	IP20
Size	50x50x6mm

### Installation Way



### Connection



### Notes

1. For indoor use only.
2. Do not disassemble the product.
3. Do not install the switch in water dropping place.
4. Use a dry cloth, never a strong cleaning agent.
5. Replace all set switch device if case of quality or malfunction.