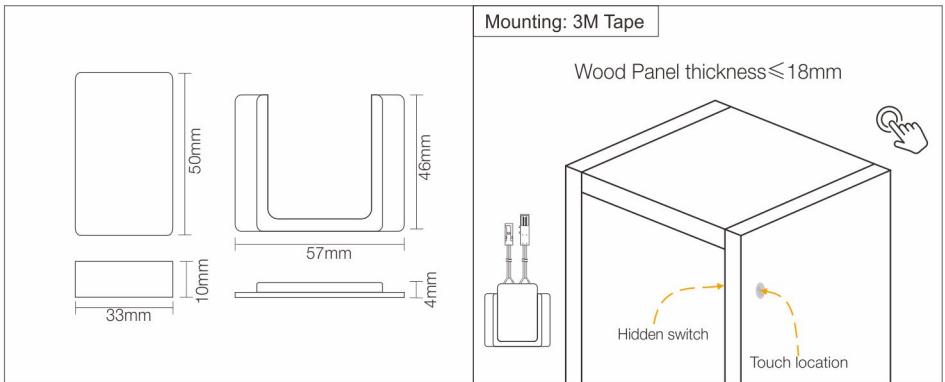


## S8B4-A0 Hidden Sensor Switch (ON/OFF/Dimmer)

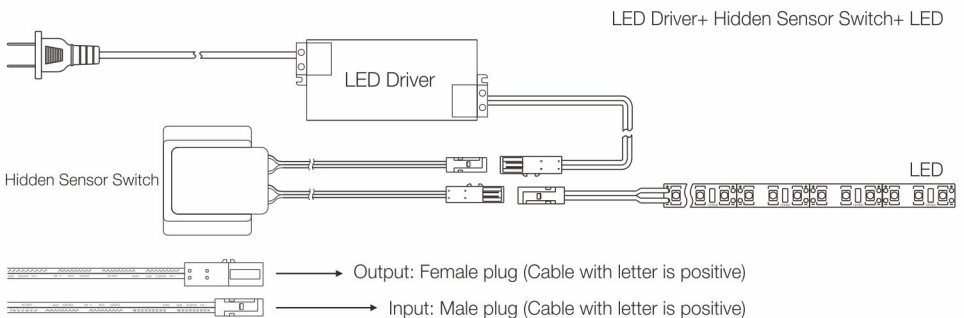


Voltage	DC12V / DC24V
Max watt	60W
Function	ON/OFF/Dimmer
Material	Plastic, Black
Installation	3M Tape Mounting
Size	50x33x10mm
	57x46x4mm(Frame)

### Installation Way



### Connection



### Notes

1. For indoor use only.
2. Do not disassemble the product.
3. Do not install the switch in water dropping place.
4. Use a dry cloth, never a strong cleaning agent.
5. Replace all set switch device if case of quality or malfunction.