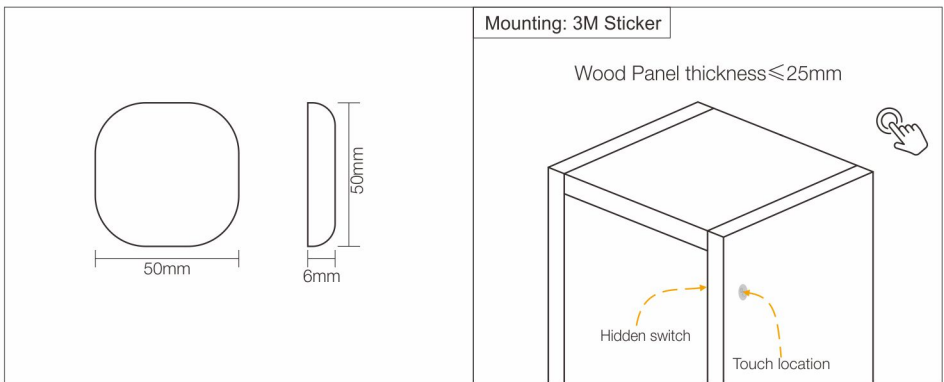


S8B4-A1 Hidden Touch Dimmer Sensor Switch

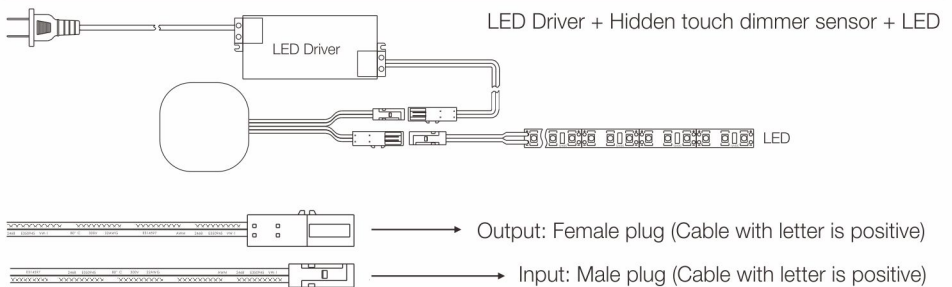


Voltage	DC12V / DC24V
Max Watt	60W
Function	Touch dimmer
Material	Plastic, Black
IP Level	IP20
Size	50x50x6mm

Installation Way



Connection



Notes

1. For indoor use only.
2. Do not disassemble the product.
3. Do not install the switch in water dropping place.
4. Use a dry cloth, never a strong cleaning agent.
5. Replace all set switch device if case of quality or malfunction.