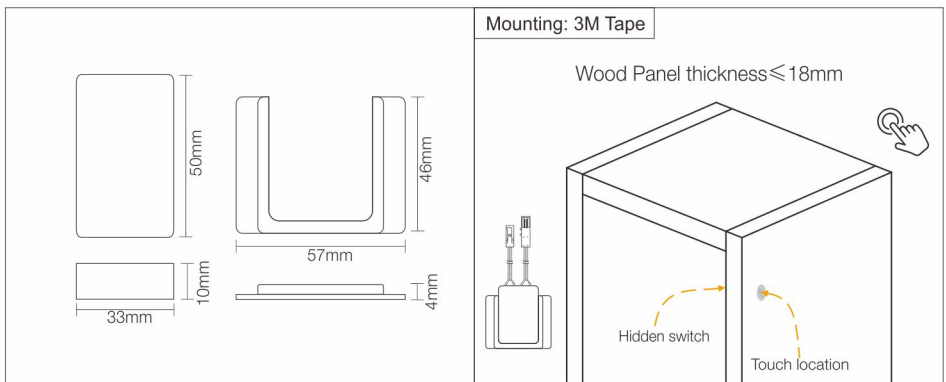


S8D4-A0 Hidden Dimmer Sensor Switch (ON/OFF/Dimmer/CCT Change)

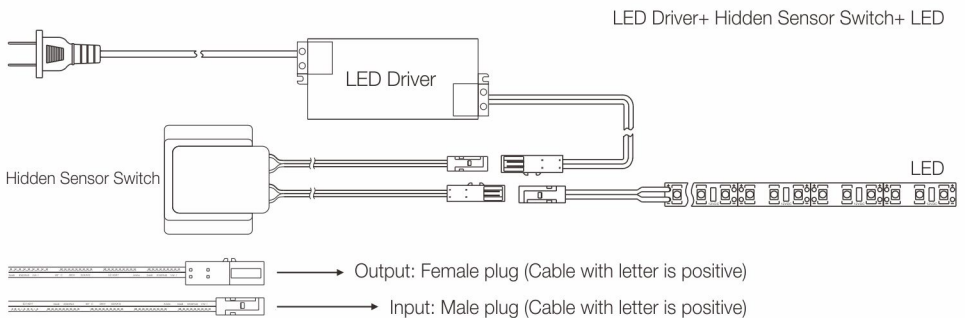


Voltage	DC12V / DC24V
Max watt	60W
Function	ON/OFF/Dimmer/CCT Change
Material	Plastic, Black
Installation	3M Tape Mounting
Size	50x33x10mm
	57x46x4mm(Frame)

Installation Way



Connection



Notes

1. For indoor use only.
2. Do not disassemble the product.
3. Do not install the switch in water dropping place.
4. Use a dry cloth, never a strong cleaning agent.
5. Replace all set switch device if case of quality or malfunction.