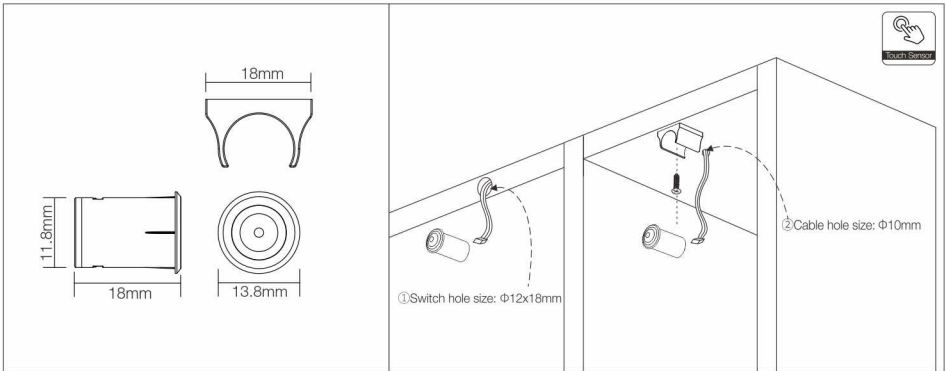


SJ1-4B Touch Dimmer Sensor Switch - Central Controlling

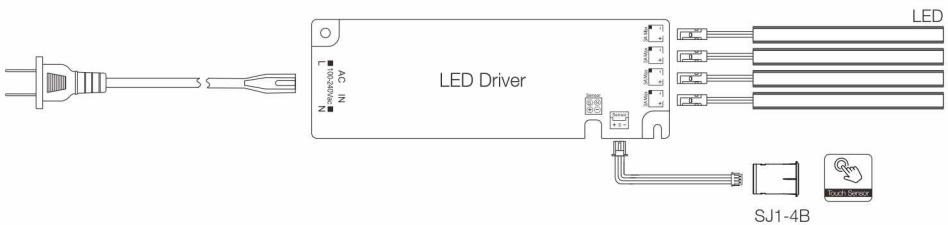


Voltage	DC12V / DC24V
Function	ON/OFF/Dimmer
Material	Plastic, Black / White
IP level	IP20
Size	Φ13.8x18mm (Recessed)
	18x17x12mm (Surface clips)

Installation Way



Connection



Notes

1. For indoor use only.
2. Do not disassemble the product.
3. Do not install the switch in water dropping place.
4. Use a dry cloth, never a strong cleaning agent.
5. Replace all set switch device if case of quality or malfunction.